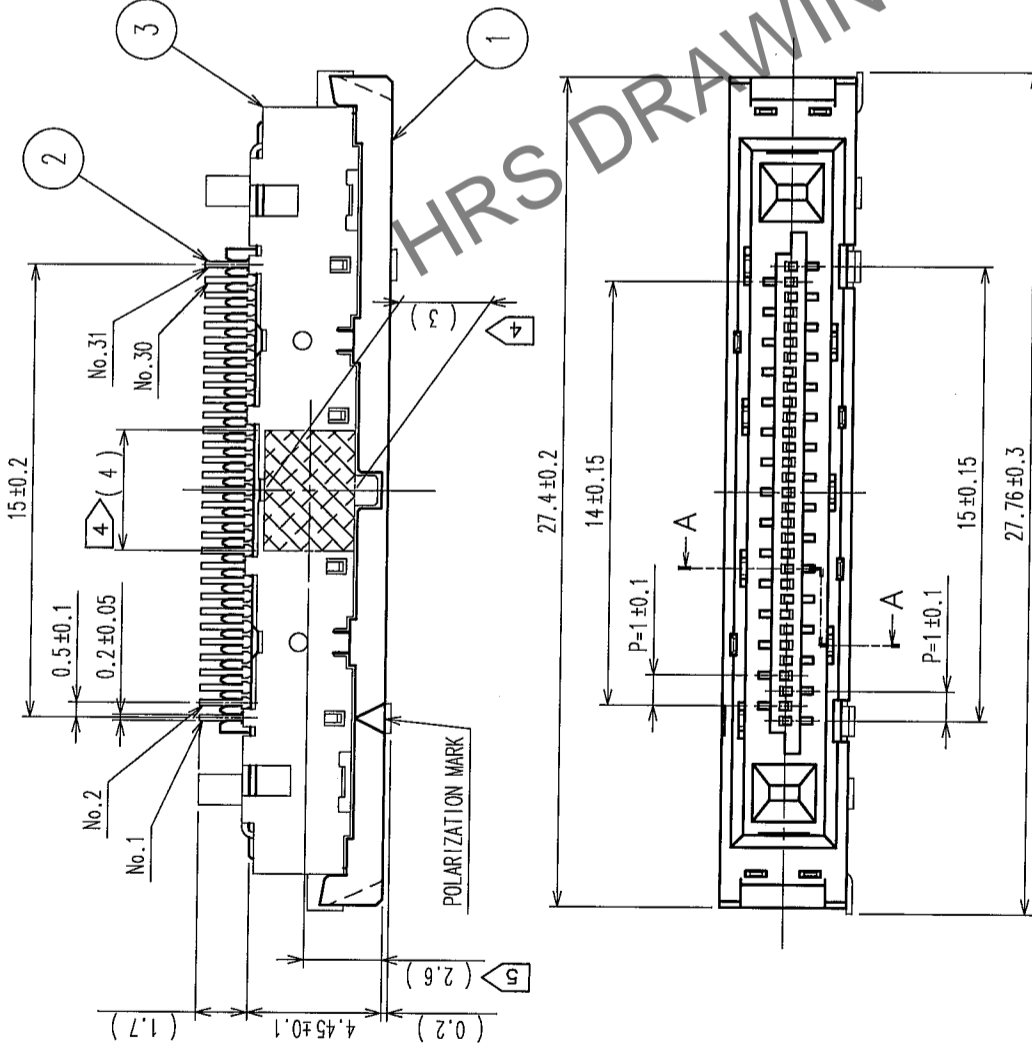
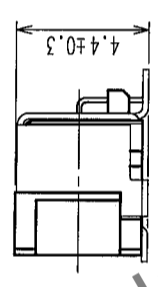
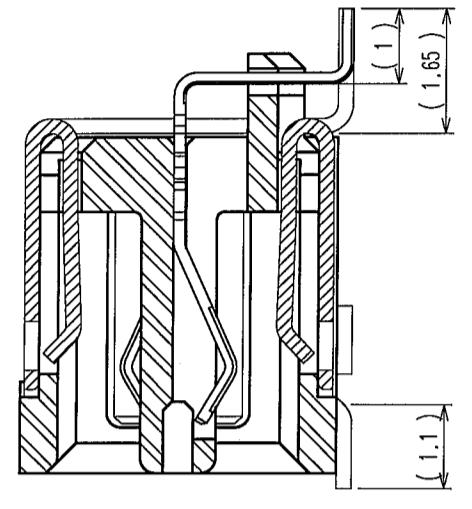


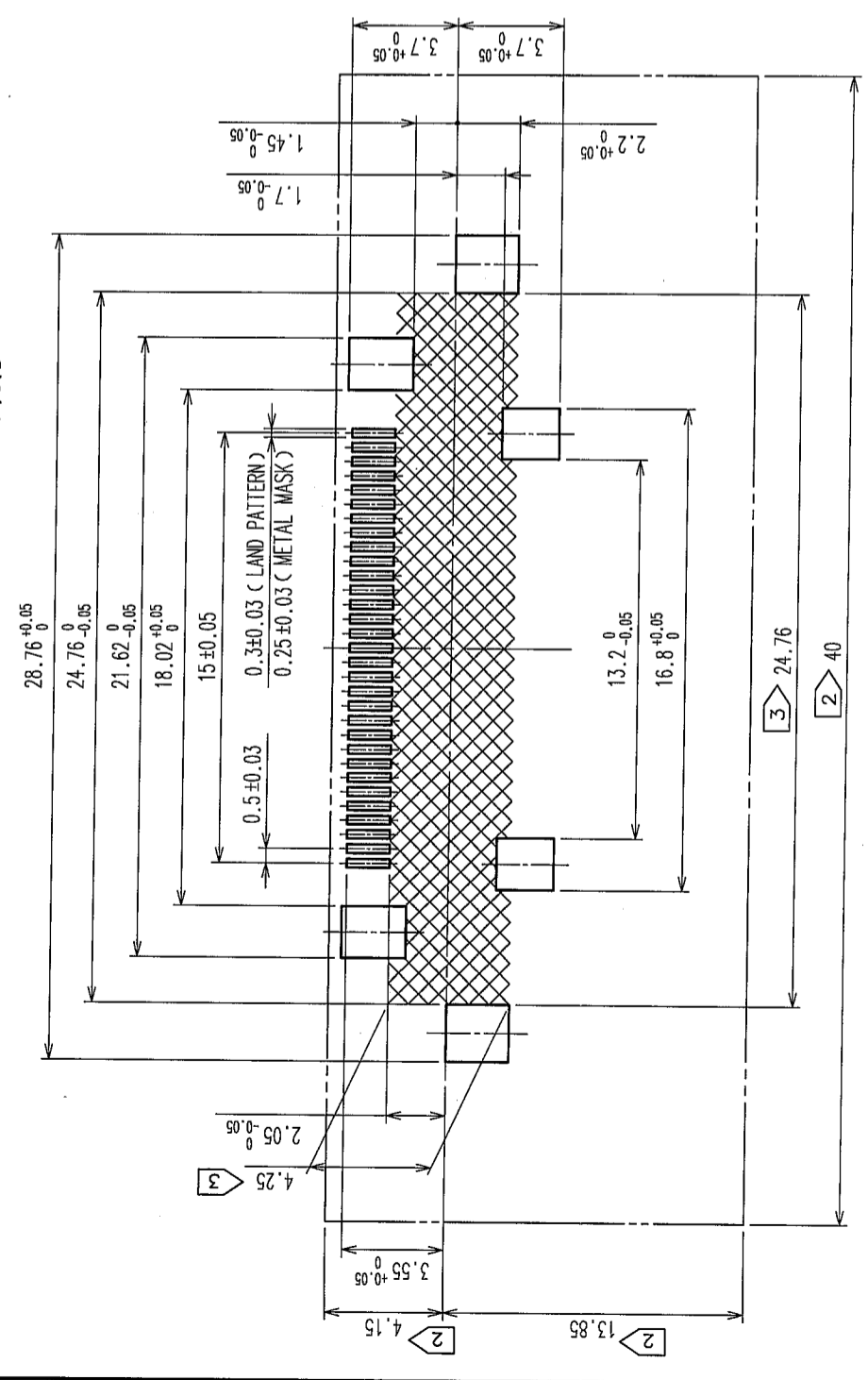
COUNT	DESCRIPTION OF REVISIONS	BY	CHKD	DATE	COUNT	DESCRIPTION OF REVISIONS	BY	CHKD	DATE
1	DIS-F-000562	K.S.H.Y		05.10.31					



AA(10:1) Δ



RECOMMENDED LAND PATTERN DIMENSION OF P.C.B



- NOTE
- 1 LEAD-COPLANARITY OF THIS PRODUCT TO BE 0.1MAX FOR SMT LEAD AND 0.15MAX FOR GROUND PLATE LEAD.
 - 2 DO NOT MOUNT OTHER DEVICES ONTO [] AREA, OR MATINGPAIR CANNOT BE MATED AND OPERATED THE LOCK PARTS.
 - 3 [] AREA OF INNER SMT LAND REQUIRES PATTERN PROHIBITION OR RESIST TREATMENT TO PREVENT THE PATTERN TOUCHING TO THE CONTACTS.
 - 4 [] AREA IS VACUUM PICKUP AREA FOR REFERENCE.
 - 5 THE DIMENSION IS THE CENTER OF VACUUM PICKUP AREA.
 - 6 THE DIMENSIONS IN PARENTHESES ARE FOR REFERENCE.
 - 7 PACKAGING FOR THIS PRODUCT APPLIES EMBOSSED CARRIER TAPE PACKAGING. SEE SHEET 2/2 FOR DETAILS.

NO.	MATERIAL	FINISH, REMARKS	NO.	MATERIAL	FINISH, REMARKS
3	NICKEL SILVER		2	PHOSPHOR BRONZE	
1	PA	BLACK UL94V-0			

CONTACT AREA: GOLD	0.1μm min	LEAD AREA: TIN-PLATING	1μm min	UNDER PLATING: NICKEL	0.5μm min

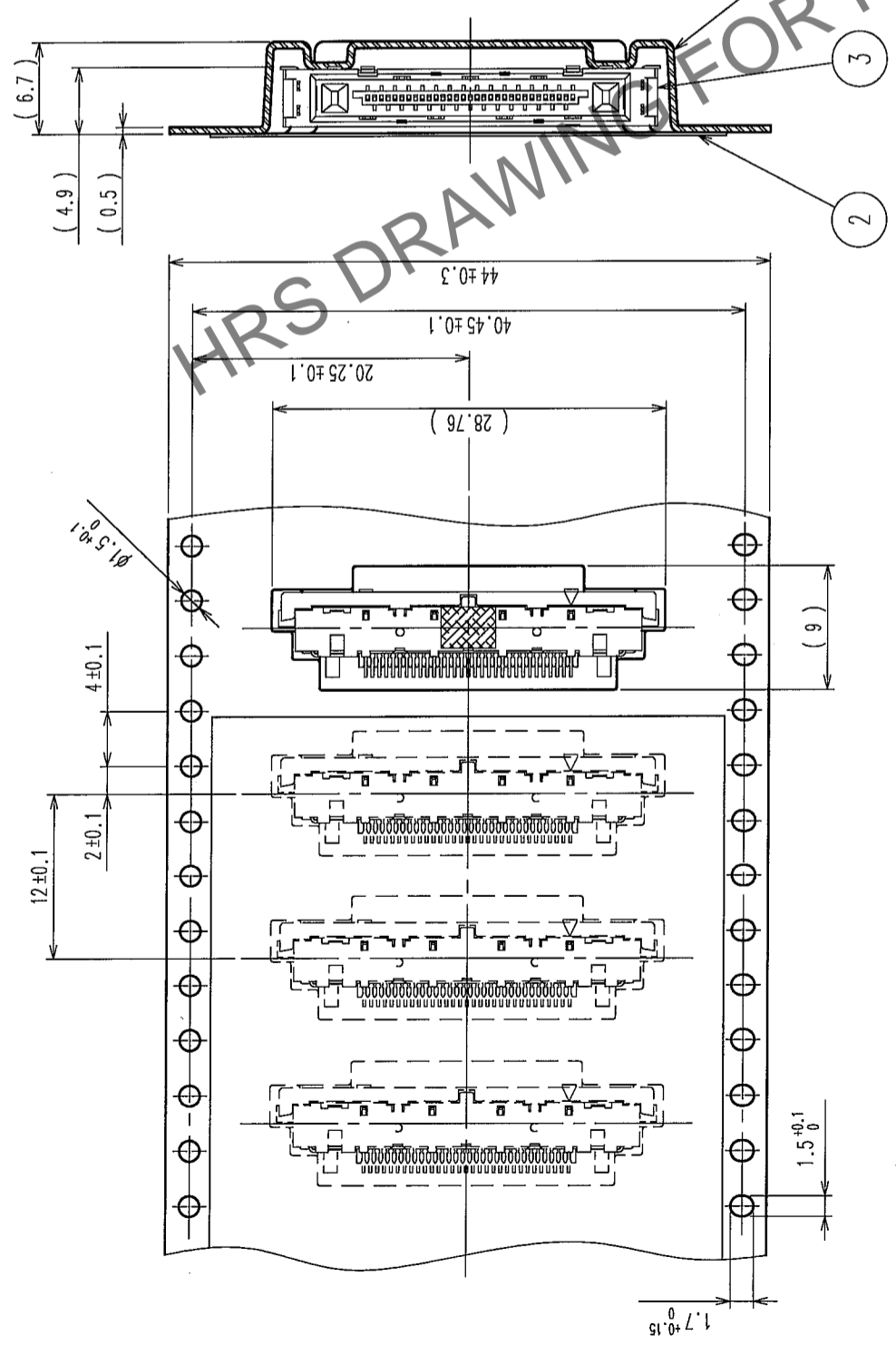
CODE NO. (OLD)	CL	DRAWN	DESIGNED	CHECKED	APPROVED	RELEASED
		K. SHIBUYA	K. SHIBUYA	H. YAMAGUCHI	H. OKAWA	
		05.08.04	05.08.04	05.08.05	05.08.05	

DRAWING NO.	PART NO.
EDC3-155934	FX15S-31S-0.5SH

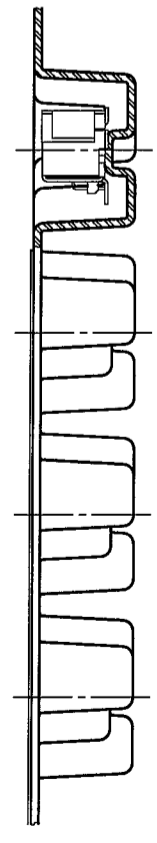
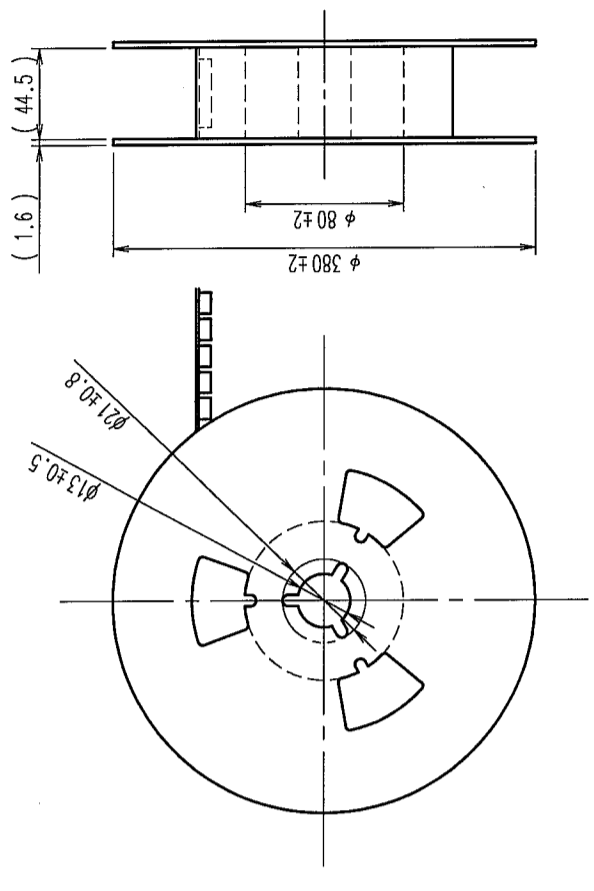
SCALE	UNITS	CODE NO.
4 : 1	mm	CL575-2306-5

COUNT	DESCRIPTION OF REVISIONS	BY	CHKD	DATE	COUNT	DESCRIPTION OF REVISIONS	BY	CHKD	DATE
△					△				
△					△				
△					△				

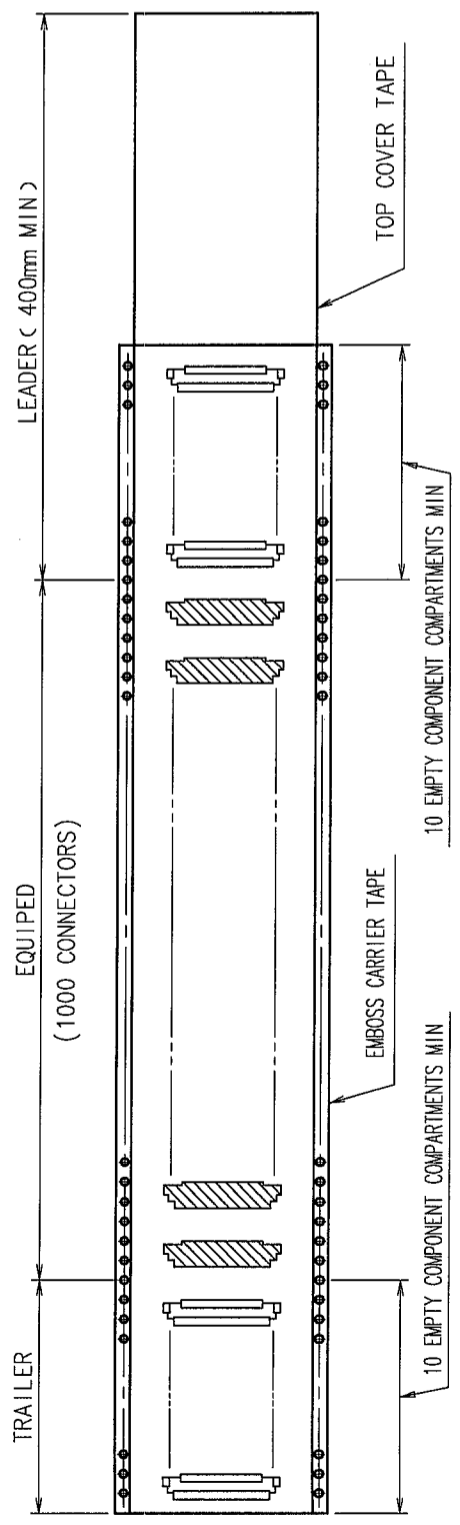
THE DIRECTION OF PULLING OUT



REELED DIMENSION (FREE)



NOTE 1. 1 REEL : 1000 CONNECTORS.



1		2		3	
NO.	MATERIAL	EMBOSS CARRIER TAPE	POLYESTER	CONNECTOR	TOP COVER TAPE
CL	CL	CL	CL	CL	CL
CODE NO. (OLD)	FINISH, REMARKS	FINISH, REMARKS	MATERIAL	CHECKED	APPROVED
				DESIGNED	RELEASED
				DRAWN	
				K. SHIBUYA	H. OKAWA
				05.08.04	05.08.05
				05.08.04	05.08.05
DRAWING NO.		PART NO.			
EDC3-155934		FX15S-31S-0.5SH			
SCALE		CODE NO.			
2 : 1		CL575-2306-5			
UNITS		HIROSE ELECTRIC CO., LTD			
mm					

TO